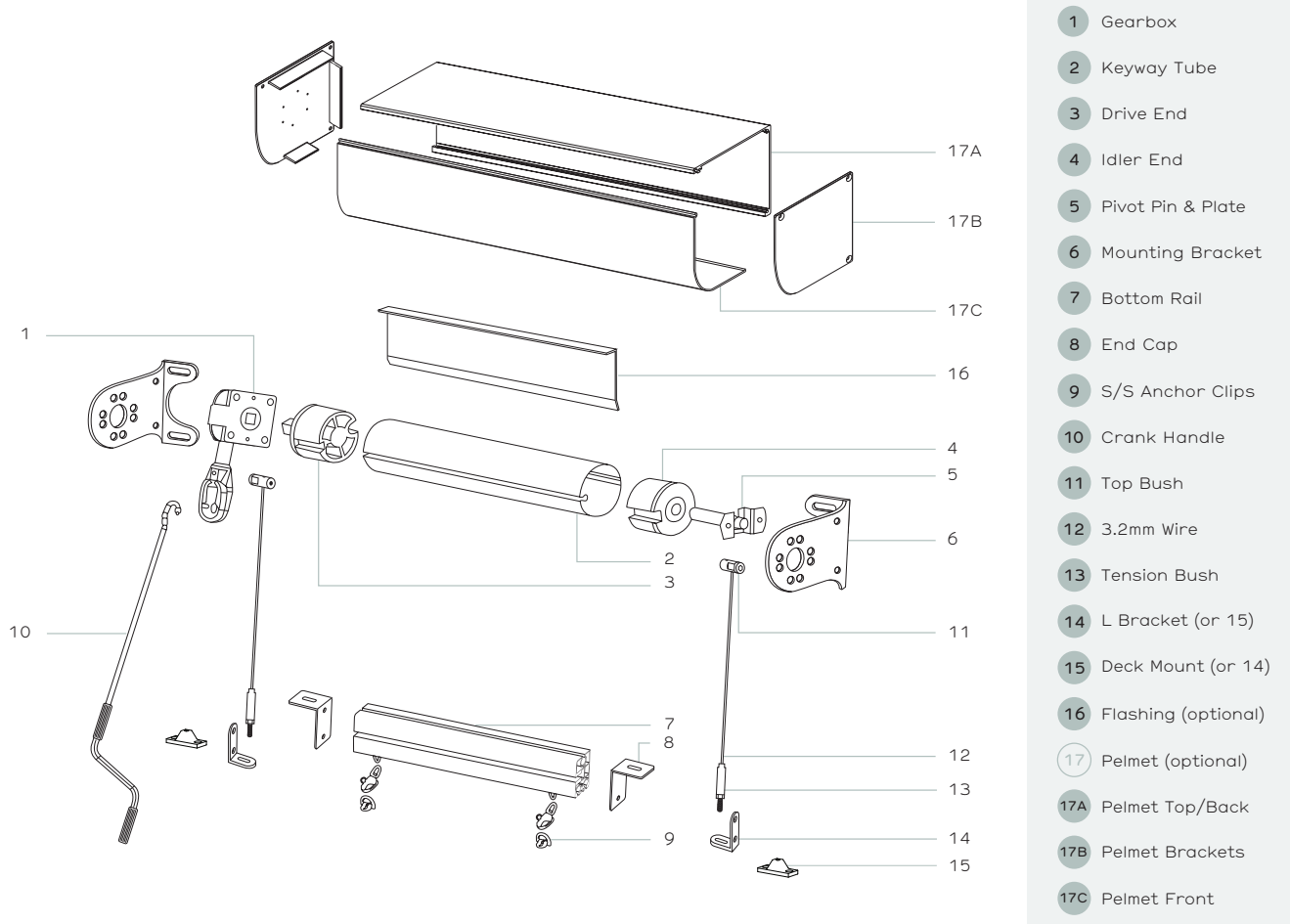
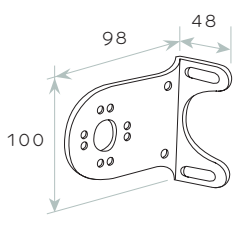


Omni Guide

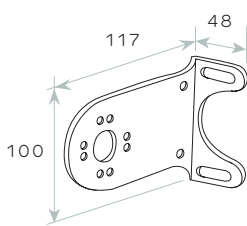


- 1 Gearbox
- 2 Keyway Tube
- 3 Drive End
- 4 Idler End
- 5 Pivot Pin & Plate
- 6 Mounting Bracket
- 7 Bottom Rail
- 8 End Cap
- 9 S/S Anchor Clips
- 10 Crank Handle
- 11 Top Bush
- 12 3.2mm Wire
- 13 Tension Bush
- 14 L Bracket (or 15)
- 15 Deck Mount (or 14)
- 16 Flashing (optional)
- 17 Pelmet (optional)
- 17A Pelmet Top/Back
- 17B Pelmet Brackets
- 17C Pelmet Front

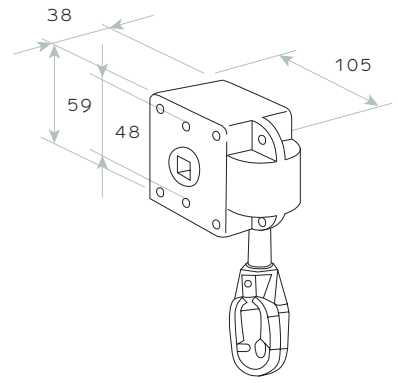
MOUNTING BRACKET 65mm



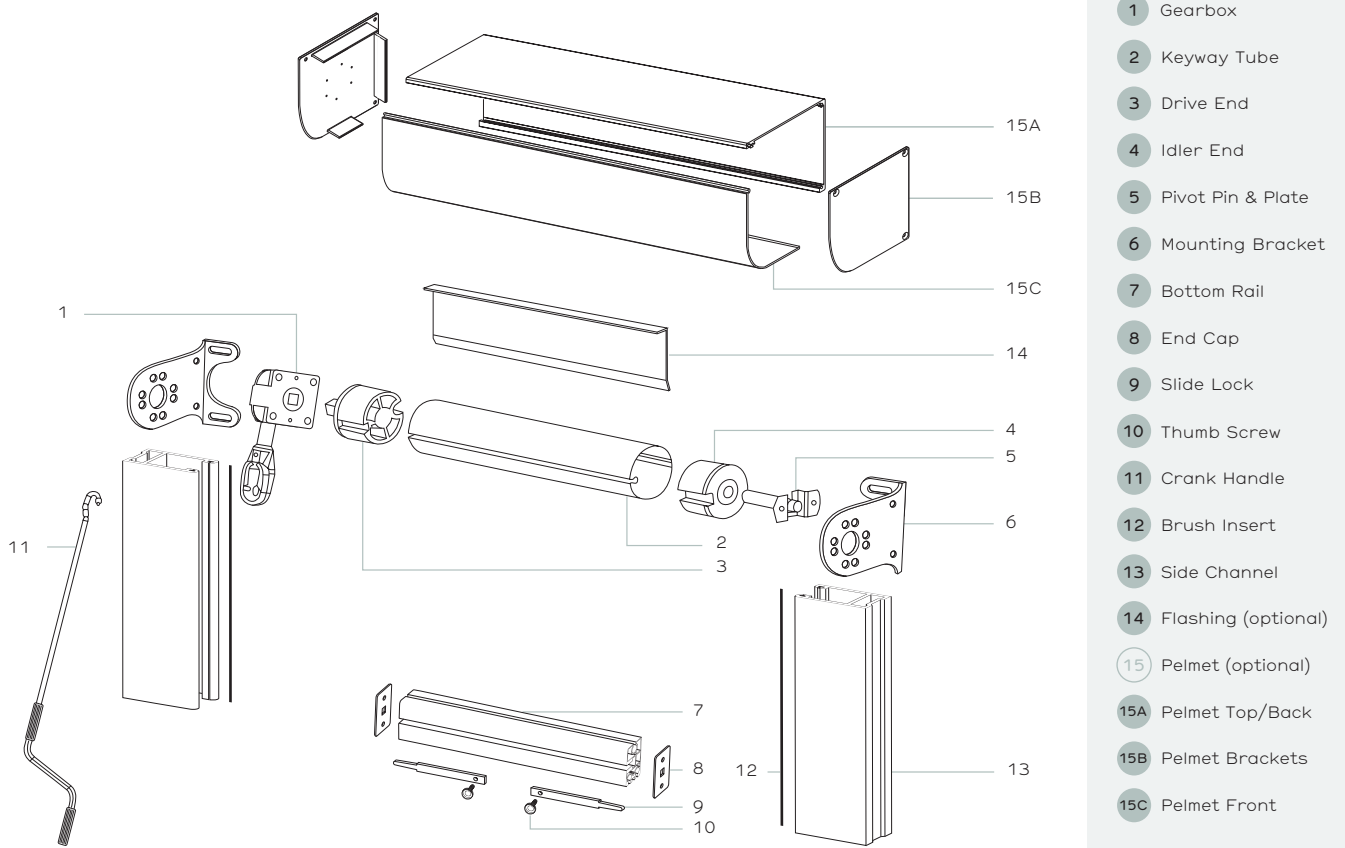
MOUNTING BRACKET 80mm



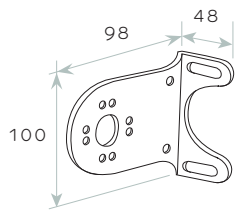
GEARBOX 7:1 (mm)



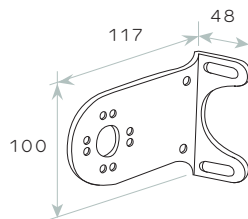
Omni Channel



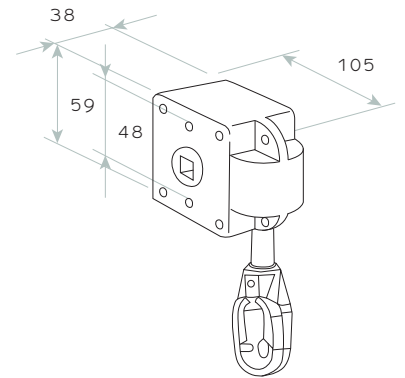
MOUNTING BRACKET 65mm



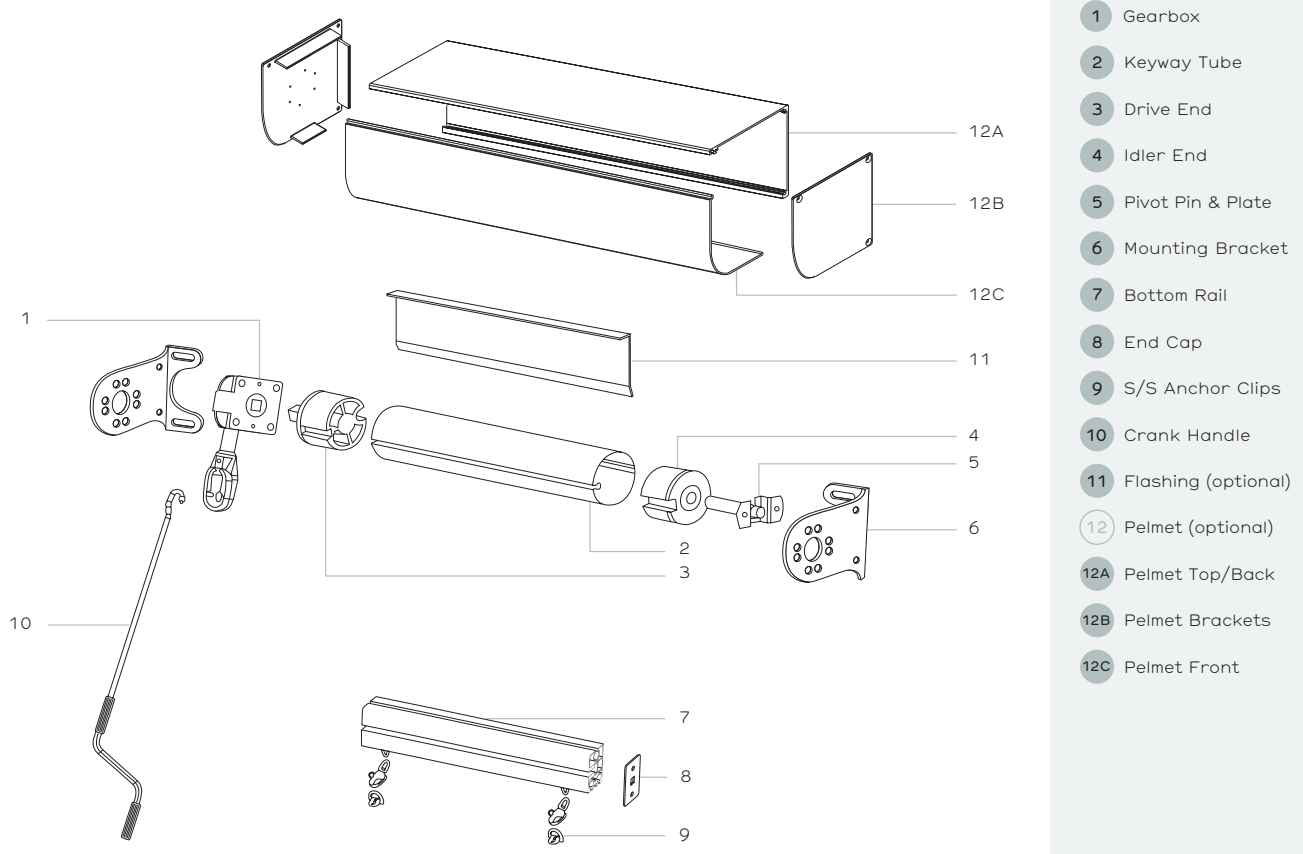
MOUNTING BRACKET 80mm



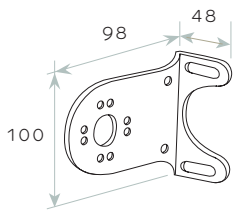
GEARBOX 7:1 (mm)



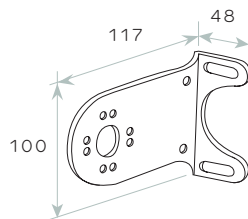
Omni Lite



MOUNTING BRACKET 65mm



MOUNTING BRACKET 80mm



GEARBOX 7:1 (mm)

